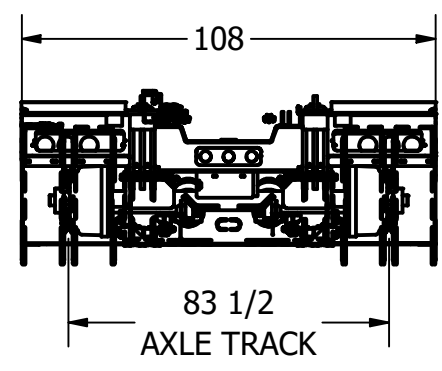
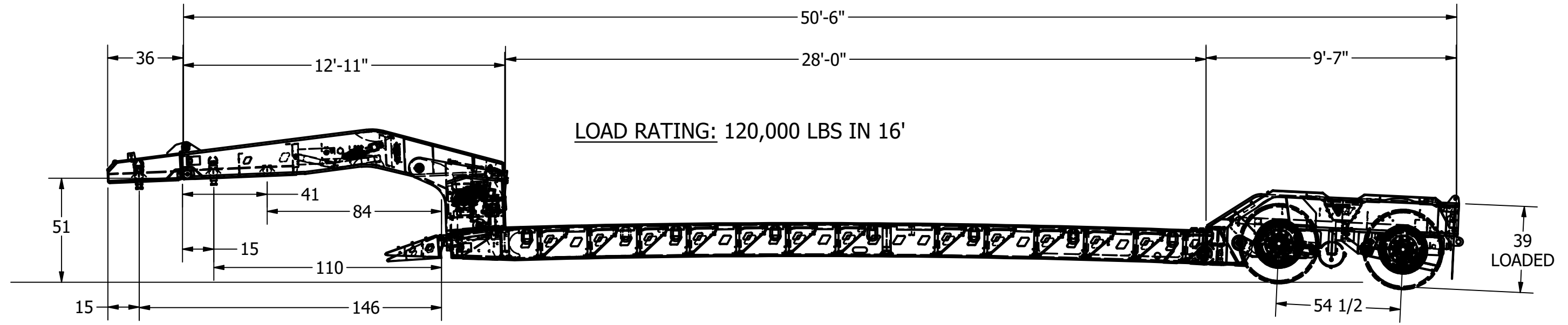
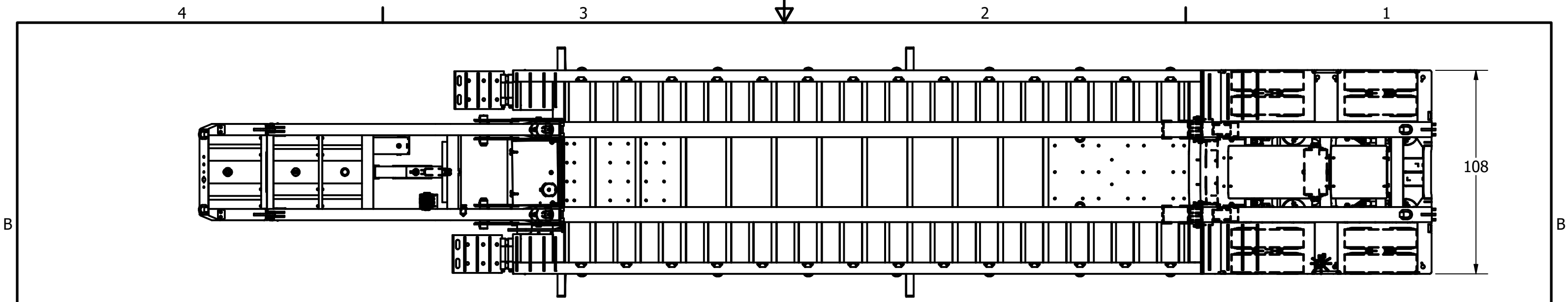


ICE Manufacturing, Inc. 801 2nd Ave SE, Oelwein, Ia 50662	PART NUMBER V7280 LAYOUT				
	DESCRIPTION				
THIS DRAWING IS THE PROPERTY OF ICE MANUFACTURING, INC. IT IS ISSUED IN CONFIDENCE FOR ENGINEERING INFORMATION ONLY AND MAY NOT BE COPIED OR USED FOR MANUFACTURING OF ANYTHING SHOWN WITHOUT SPECIFIC WRITTEN PERMISSION.	DRAWN bkleitsch	DATE 7/6/2026	Sheet # 1 of 1	SIZE B	SCALE 0.015
	REV	MATERIAL ASSY			

TOLERANCES: (INCHES)
 .x = ± .06
 .XX = ± .03
 .XXX = ± .015
 FRACTIONS = ± 1/16
 ANGLES = ± 1°



DOCUMENT APPROVAL

PLEASE REVIEW SPECIFICATIONS AND DIMENSIONS BEFORE APPROVING THIS DOCUMENT

COMPANY: Midco Sales 3/11/2026

NAME (print): _____ APPROVED

SIGNATURE: _____ APPROVED AS NOTED

DATE: _____

AlphaHD
ICE Manufacturing, Inc.
 801 2nd Ave SE, Oelwein, Ia 50662

THIS DRAWING IS THE PROPERTY OF ICE MANUFACTURING, INC. IT IS ISSUED IN CONFIDENCE FOR ENGINEERING INFORMATION ONLY AND MAY NOT BE COPIED OR USED FOR MANUFACTURING OF ANYTHING SHOWN WITHOUT SPECIFIC WRITTEN PERMISSION.

DRAWING NUMBER 120_HDG-SF2_2AXL			
MODEL SALES DRAWING			
DRAWN BDK	DATE 12/13/2024	SIZE B	SCALE 1 / 50
REV	Sheet # 1 of 2	MATERIAL ASSY	

TRAILER SPECIFICATIONS

GOOSENECK

LOW PROFILE NECK
 36" FLIP NECK EXTENSION
 5 POSITION RIDE HEIGHT ADJUSTMENT
 HYDRAULIC HONDA PONY MOTOR MOUNTED IN BASE WITH S.S. COVER
 HYDRAULICS TO RUN OFF PONY MOTOR OR WET KIT

MAIN DECK

22" LOADED DECK HEIGHT
 6" GROUND CLEARANCE
 12" CROSS MEMBER SPACING (ALT 10" AND 4" JRI)
 H.D. SWING OUT OUTRIGGER (24" CNTRS)
 2 SETS OF NON SWING/REMOVABLE OUTRIGGERS (FRONT & MIDDLE)
 CHAIN DROPS 24" ON CNTR (OUTER BEAMS)
 7 P.R. BENT D-RINGS
 5' TOOL BOX AT FRONT (NOT COVERED)
 6' BOOM TROUGH AT REAR
 1-3/4" RAISED APITONG DECKING WITH CENTER DECK OPEN
 TOP FLANGE REINFORCEMENT
 FLAG HOLDER AT FRONT CORNERS
 31" FRONT LOAD RAMPS (FLIP OVER)
 2 P.R. BENT D-RING IN TOOL BOX
 2 P.R. BENT D-RING IN BUCKET WELL
 4 P.R. CLEARANCE LIGHTS

WHEEL AREA

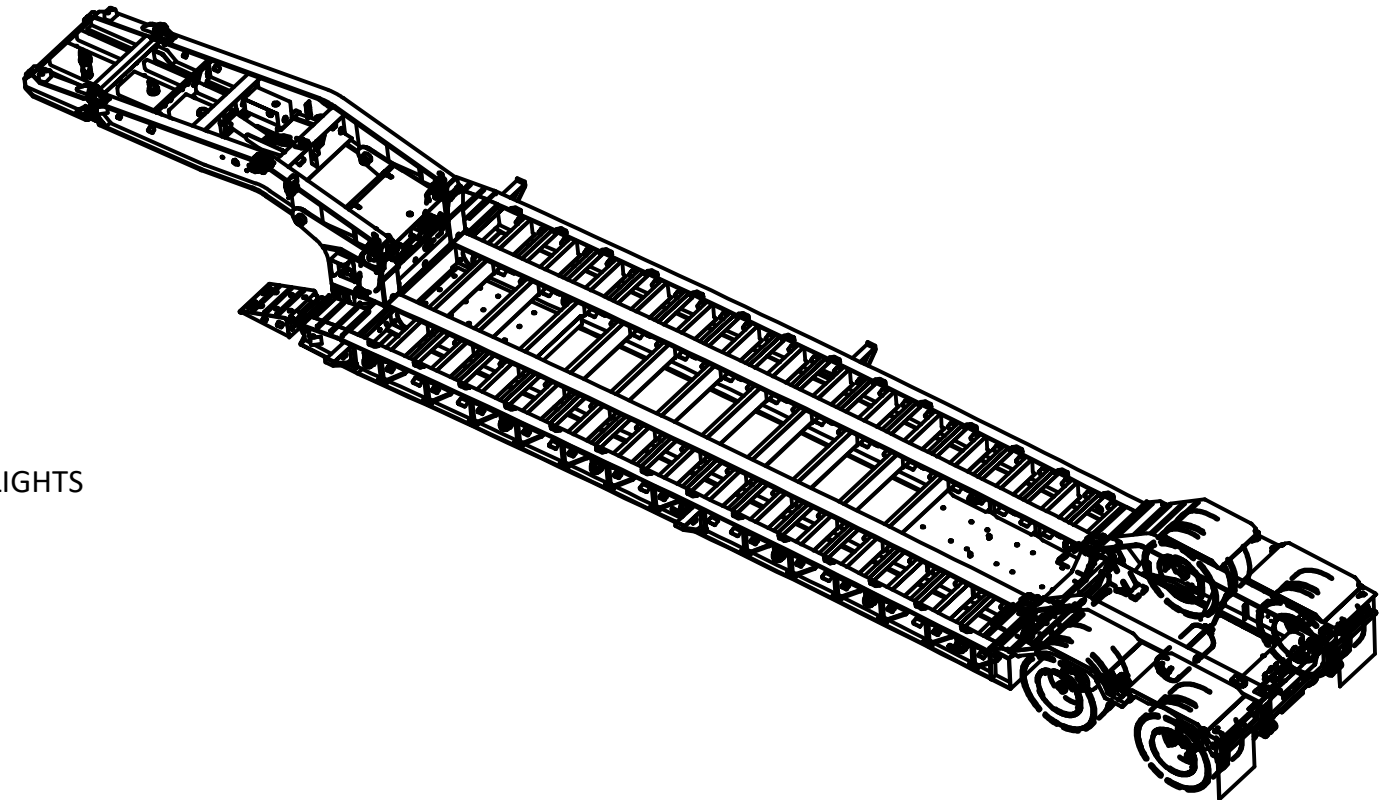
AIR/ELE/BRKTS FOR 2 AXLE BOOSTER
 RAISE AND LOWER VALVE
 MANUAL RIDE HEIGHT VALVE
 LIMIT CHAINS ALL AXLES
 SUSPENSION CONTROLS IN DRIVER SIDE BOLSTER
 AIRWEIGH QUICKWEIGH SCALE IN DRIVER SIDE BOLSTER
 275/70R/22.5 TIRES
 STEEL WHEELS IN
 POLISHED ALUM WHEELS OUT
 1 PR OF D-RINGS AT REAR
 FLAG HOLDERS AT REAR
 STAKE POCKETS AT REAR FOR WIDE LOAD SIGN
 CHAIN DROPS IN ALL BOLSTERS
 BOLT ON COVERED BOOM TROUGH
 BOLT ON WHEEL COVERS
 NITRO STINGER TOP LUGS
 SUBFRAME DISCONNECT

OTHER

12V SEALED ELECTRICAL HARNESS
 LED LIGHTS
 4 TAIL LIGHT S.S. PKG
 STROBE LIGHTS AS 4TH TAIL LIGHT
 BATTERY BACKUP TO RUN STROBE LIGHTS
 4-WAY PLUG AT REAR TO RUN ADDITIONAL LIGHTS
 25,000 LB SUSPENSION AND AXLES
 AIR SUSPENSION
 16.5" X 7" BRAKES
 SPRING BREAKS ON 2 AXLES
 HUB PILOT AXLES
 BLACK PAINT

Sales Order Information

Date:	Dealer	V.I.N
3/10/2026	MIDCO	V7280



DOCUMENT APPROVAL

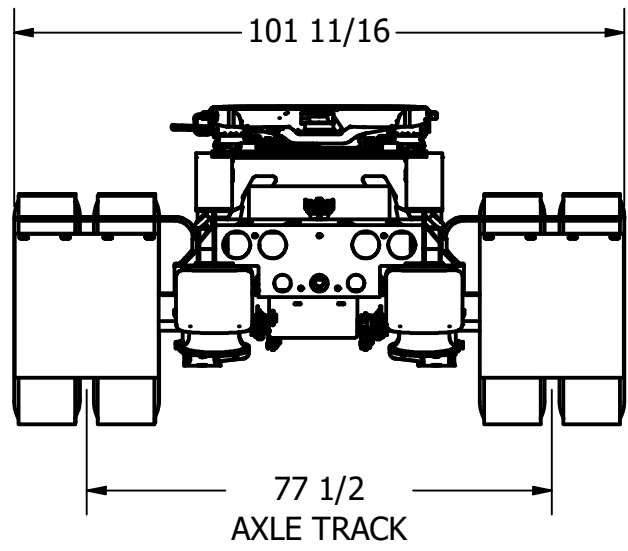
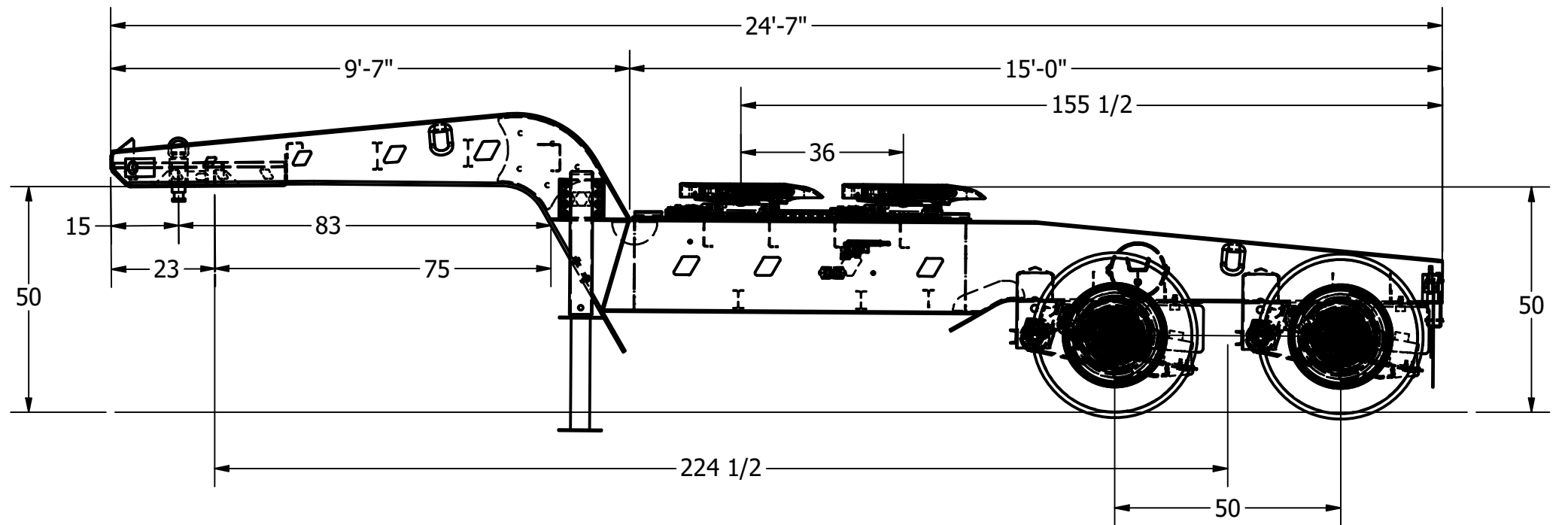
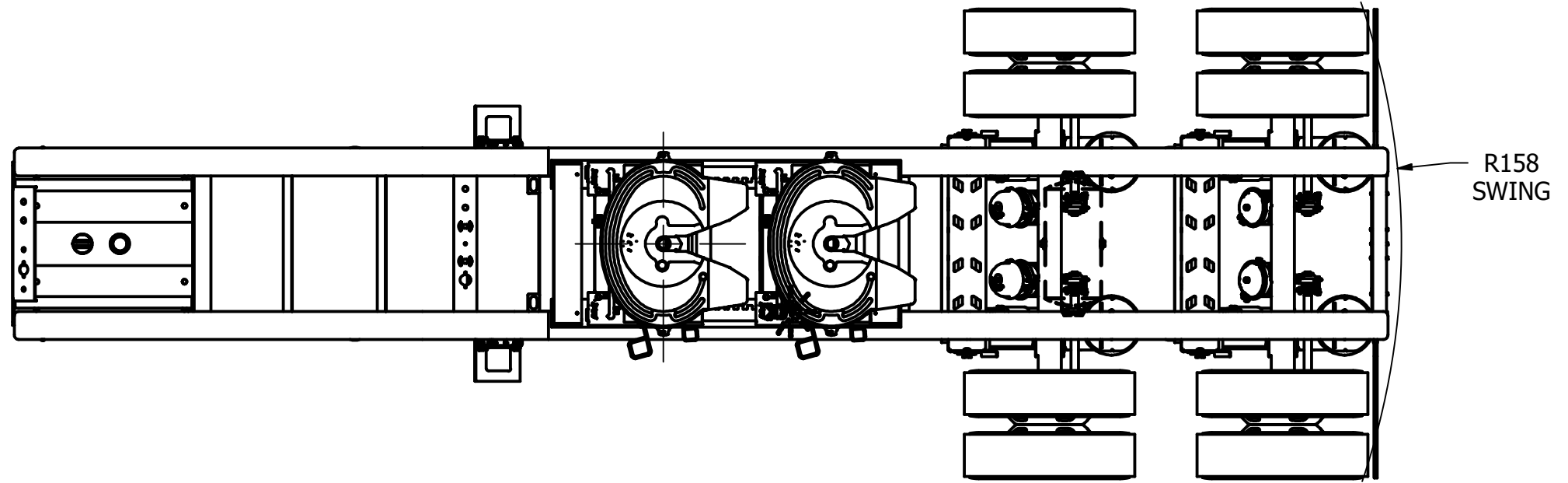
PLEASE REVIEW SPECIFICATIONS AND DIMENSIONS BEFORE APPROVING THIS DOCUMENT

COMPANY: _____
 NAME (print): _____
 SIGNATURE: _____
 DATE: _____

APPROVED
 APPROVED AS NOTED

AlphaHD ICE Manufacturing, Inc. 801 2nd Ave SE, Oelwein, Ia 50662		DRAWING NUMBER 120_HDG-SF2_2AXL			
		MODEL SALES DRAWING			
THIS DRAWING IS THE PROPERTY OF ICE MANUFACTURING, INC. IT IS ISSUED IN CONFIDENCE FOR ENGINEERING INFORMATION ONLY AND MAY NOT BE COPIED OR USED FOR MANUFACTURING OF ANYTHING SHOWN WITHOUT SPECIFIC WRITTEN PERMISSION.	DRAWN BDK	DATE 12/13/2024	SIZE B	SCALE 1 / 80	
	REV	Sheet # 2 of 2	MATERIAL ASSY		

LOAD RATING: 80,000 LBS



DOCUMENT APPROVAL

PLEASE REVIEW SPECIFICATIONS AND DIMENSIONS BEFORE APPROVING THIS DOCUMENT

COMPANY: Midco Sales 3/11/2026

NAME (print): _____ APPROVED

SIGNATURE: _____ APPROVED AS NOTED

DATE: _____

AlphaHD
ICE Manufacturing, Inc.
 801 2nd Ave SE, Oelwein, Ia 50662

THIS DRAWING IS THE PROPERTY OF ICE MANUFACTURING, INC. IT IS ISSUED IN CONFIDENCE FOR ENGINEERING INFORMATION ONLY AND MAY NOT BE COPIED OR USED FOR MANUFACTURING OF ANYTHING SHOWN WITHOUT SPECIFIC WRITTEN PERMISSION.

DRAWING NUMBER		80_JD		
MODEL		SALES DRAWING		
DRAWN BK	DATE	SIZE	SCALE	
	1/6/2025	B	1/32	
WEIGHT N/A	Sheet #	MATERIAL ASSY		
	1 of 2			

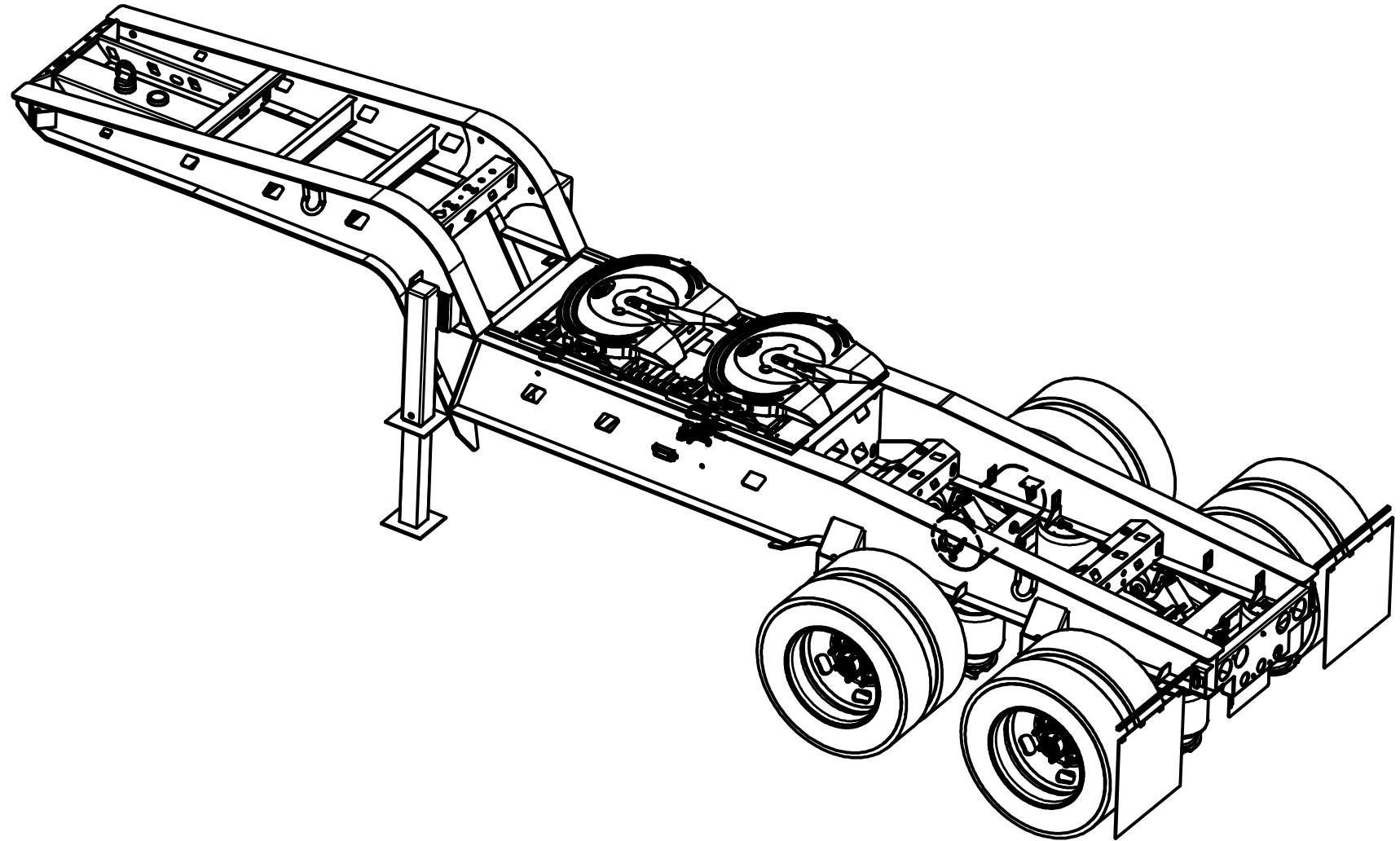
TRAILER SPECIFICATIONS

Sales Order Information		
Date:	Dealer	V.I.N
3/9/2026	MIDCO	V7279

GOOSENECK
 50" 5TH WHEEL HEIGHT
 15" AND 23" KING PIN SETTINGS
 83" AND 75" SWING CLEARANCE
 1 P.R. BENT D-RINGS PER SIDE
 POGO STICK AT REAR
 1 P.R. DROP LEG LANDING GEAR

WHEEL AREA
 50" LOADED 5TH WHEEL HEIGHT
 36" SLIDING 5TH WHEEL PLATE WITH AIR LOCK
 1 P.R. BENT D-RING BETWEEN AXLES
 AIR-WEIGH QUICKWEIGH DIGITAL SCALE
 RAISE AND LOWER VALVE
 SUSPENSION CONTROLS IN DRIVERS SIDE MAIN BEAM
 275/70R/22.5 TIRES
 STEEL WHEELS IN
 POLISHED ALUM WHEELS OUT

OTHER
 12V SEALED ELECTRICAL HARNESS
 LED LIGHTS
 2 TAIL LIGHT PKG
 25,000 LB SUSPENSION AND AXLES
 AIR SUSPENSION
 16.5" X 7" BRAKES
 SPRING BREAKS ON 1 AXLES
 HUB PILOT AXLES
 BLACK PAINT

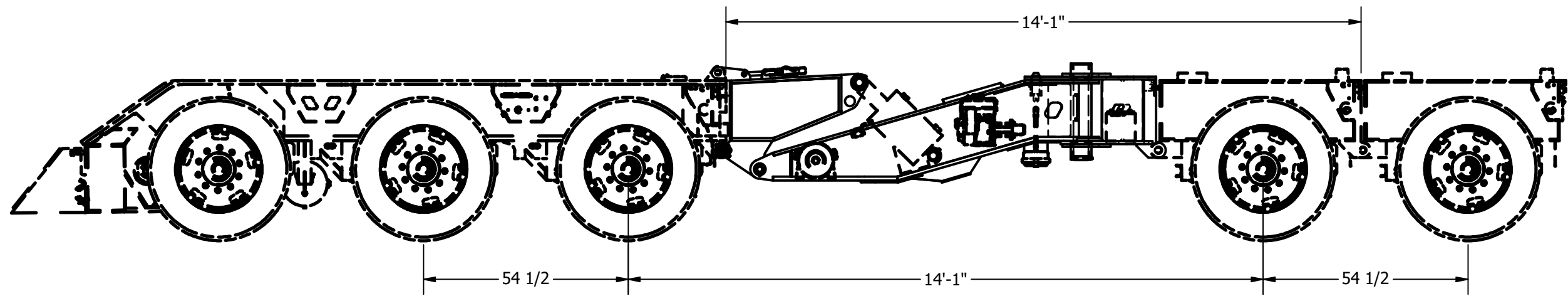
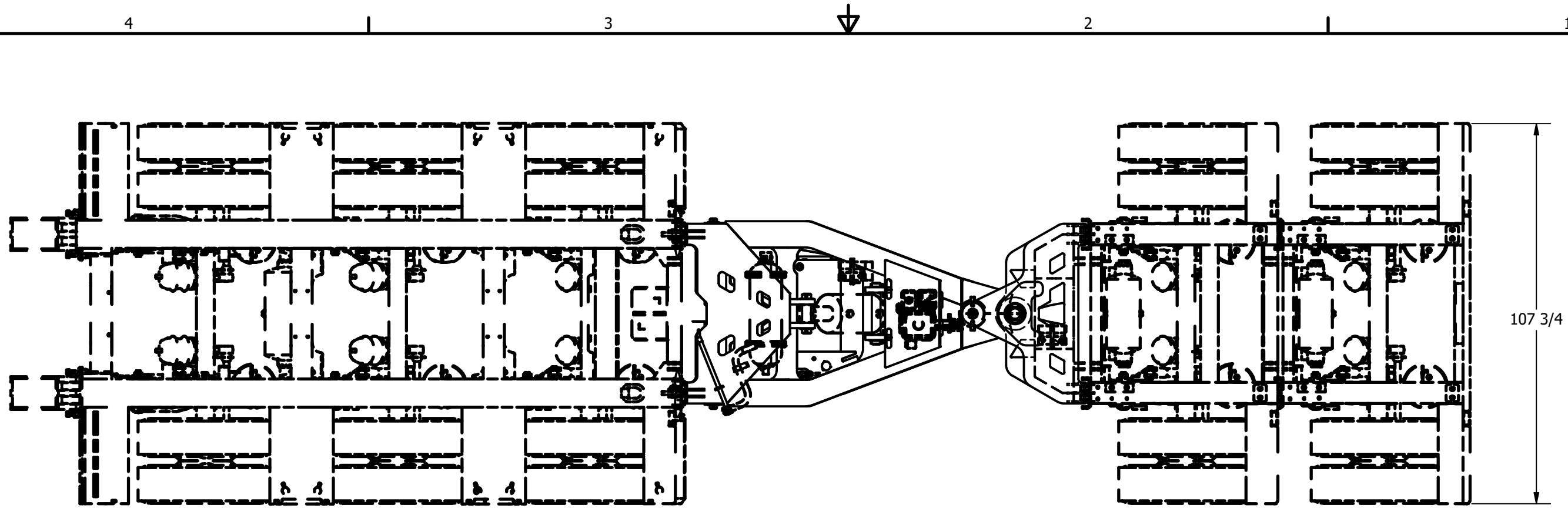


DOCUMENT APPROVAL

PLEASE REVIEW SPECIFICATIONS AND DIMENSIONS BEFORE APPROVING THIS DOCUMENT

COMPANY: _____ APPROVED
 NAME (print): _____
 SIGNATURE: _____ APPROVED AS NOTED
 DATE: _____

AlphaHD ICE Manufacturing, Inc. 801 2nd Ave SE, Oelwein, Ia 50662		DRAWING NUMBER 80_JD			
		MODEL SALES DRAWING			
THIS DRAWING IS THE PROPERTY OF ICE MANUFACTURING, INC. IT IS ISSUED IN CONFIDENCE FOR ENGINEERING INFORMATION ONLY AND MAY NOT BE COPIED OR USED FOR MANUFACTURING OF ANYTHING SHOWN WITHOUT SPECIFIC WRITTEN PERMISSION.	DRAWN BK	DATE 1/6/2025	SIZE B	SCALE 1/32	
	WEIGHT N/A	Sheet # 2 of 2	MATERIAL ASSY		



DOCUMENT APPROVAL

PLEASE REVIEW SPECIFICATIONS AND DIMENSIONS BEFORE APPROVING THIS DOCUMENT

COMPANY: Midco Sales 3/11/2026

NAME (print): _____ APPROVED

SIGNATURE: _____ APPROVED AS NOTED

DATE: _____

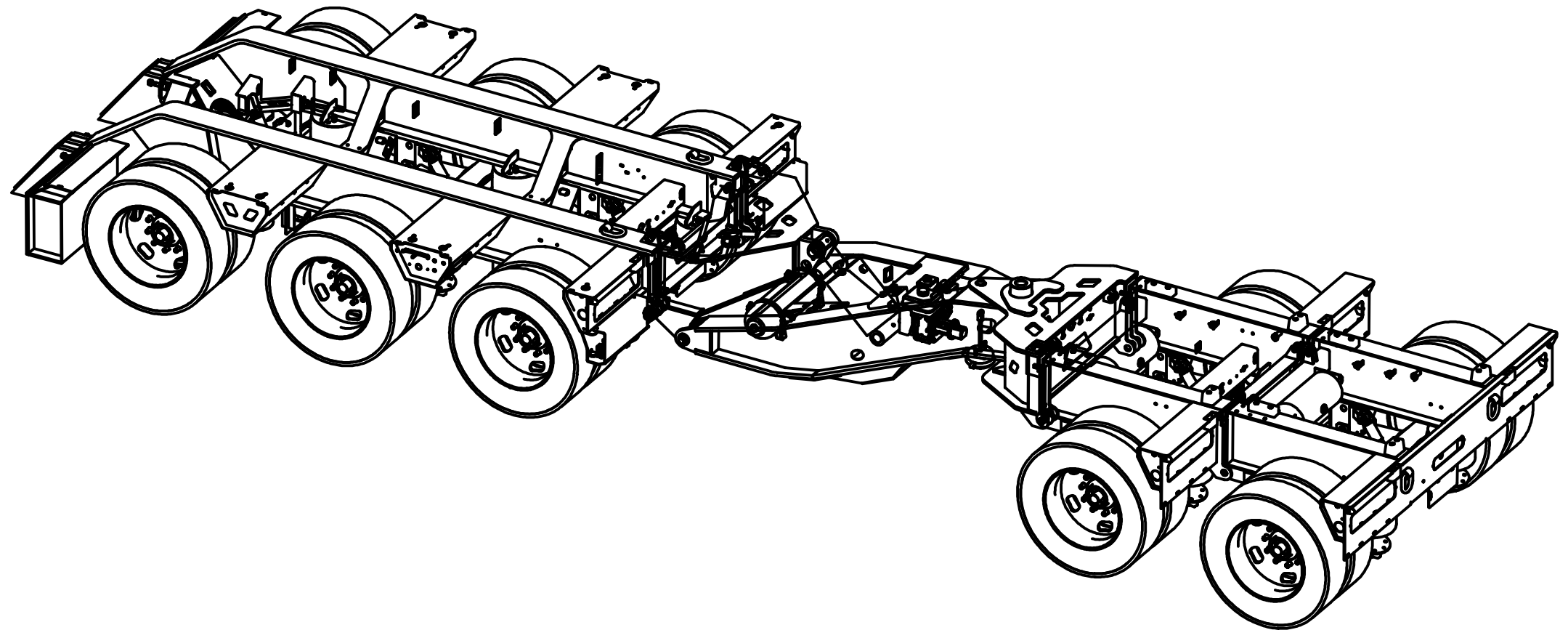
AlphaHD
ICE Manufacturing, Inc.
 801 2nd Ave SE, Oelwein, Ia 50662

THIS DRAWING IS THE PROPERTY OF ICE MANUFACTURING, INC. IT IS ISSUED IN CONFIDENCE FOR ENGINEERING INFORMATION ONLY AND MAY NOT BE COPIED OR USED FOR MANUFACTURING OF ANYTHING SHOWN WITHOUT SPECIFIC WRITTEN PERMISSION.

DRAWING NUMBER		ANSB2		
MODEL		SALES DRAWING		
DRAWN BK	DATE	SIZE	SCALE	
	1/13/2025	B	1 / 32	
REV	Sheet #	MATERIAL		
	1 of 2	ASSY		

STANDARD EQUIPMENT

- SPREADER BAR
- 12V SEALED ELECTRICAL HARNESS
- 5.5HP HONDA POWER UNIT
- SINGLE SPEED DROP LEG LANDING GEAR
- BLACK PAINT
- RATED FOR 2 FLIP AXLES



Sales Order Information		
Date:	Dealer	V.I.N.
3/10/2026	MIDCO	V7281

DOCUMENT APPROVAL

PLEASE REVIEW SPECIFICATIONS AND DIMENSIONS BEFORE APPROVING THIS DOCUMENT

COMPANY: _____

NAME (print): _____

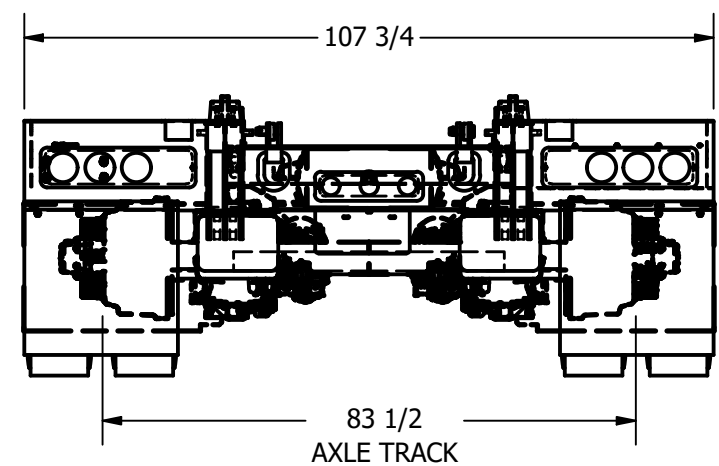
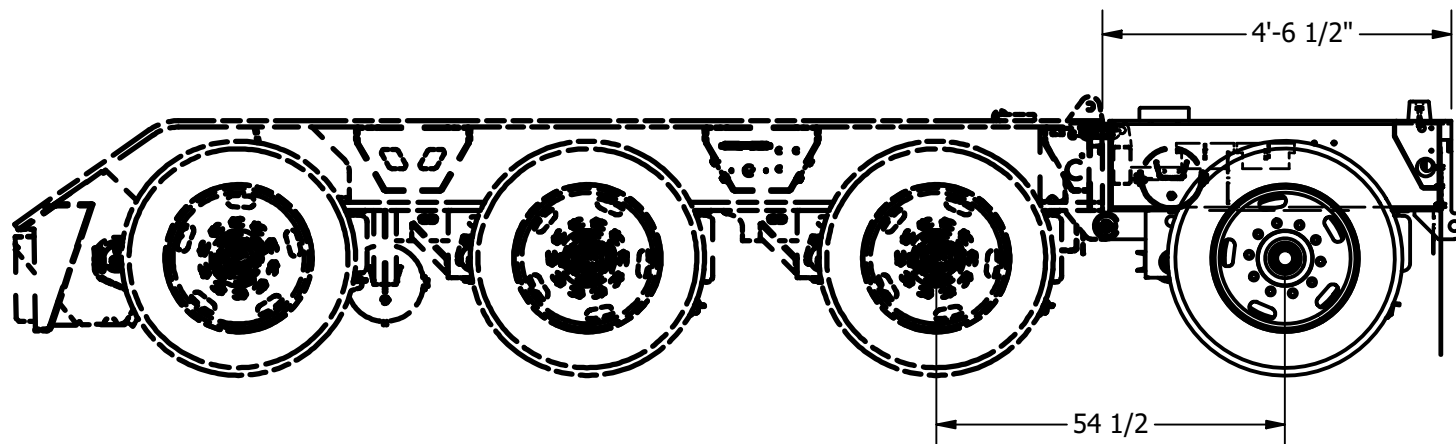
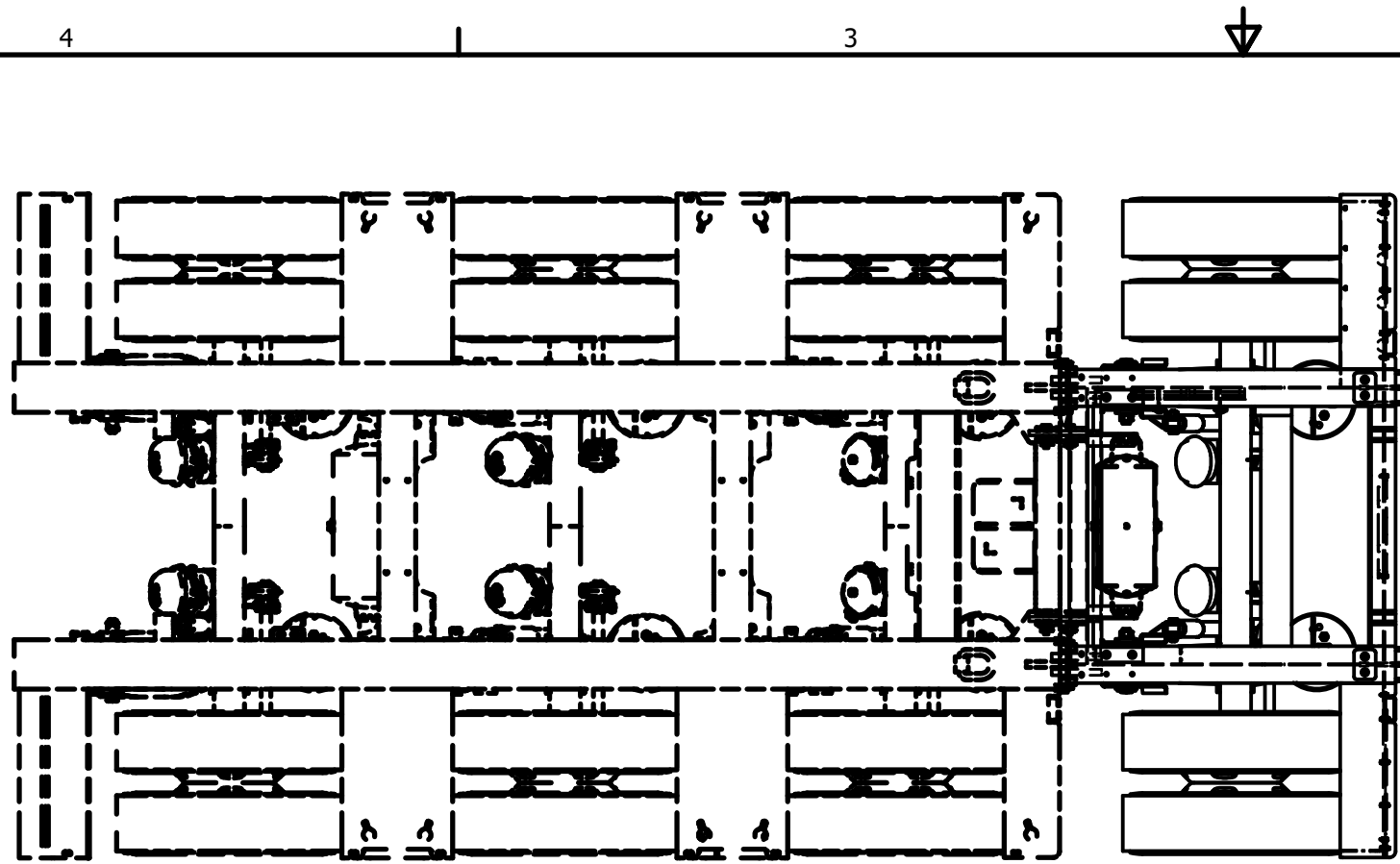
SIGNATURE: _____

DATE: _____

APPROVED

APPROVED AS NOTED

AlphaHD ICE Manufacturing, Inc. 801 2nd Ave SE, Oelwein, Ia 50662		DRAWING NUMBER			ANSB2		
		MODEL			SALES DRAWING		
THIS DRAWING IS THE PROPERTY OF ICE MANUFACTURING, INC. IT IS ISSUED IN CONFIDENCE FOR ENGINEERING INFORMATION ONLY AND MAY NOT BE COPIED OR USED FOR MANUFACTURING OF ANYTHING SHOWN WITHOUT SPECIFIC WRITTEN PERMISSION.		DRAWN BK		DATE		SIZE	SCALE
				1/13/2025		B	1 / 36
		REV		Sheet #		MATERIAL ASSY	
				2 of 2			



DOCUMENT APPROVAL

PLEASE REVIEW SPECIFICATIONS AND DIMENSIONS BEFORE APPROVING THIS DOCUMENT

COMPANY: Midco Sales 3/11/2026

NAME (print): _____ APPROVED

SIGNATURE: [Signature]

DATE: _____ APPROVED AS NOTED

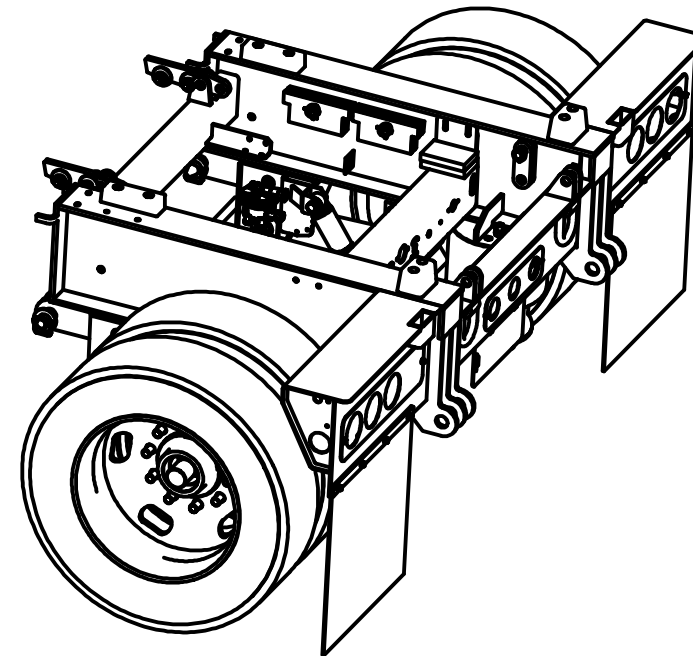
AlphaHD		DRAWING NUMBER		
ICE Manufacturing, Inc.		AFA2		
801 2nd Ave SE, Oelwein, Ia 50662		MODEL		
		SALES DRAWING		
THIS DRAWING IS THE PROPERTY OF ICE MANUFACTURING, INC. IT IS ISSUED IN CONFIDENCE FOR ENGINEERING INFORMATION ONLY AND MAY NOT BE COPIED OR USED FOR MANUFACTURING OF ANYTHING SHOWN WITHOUT SPECIFIC WRITTEN PERMISSION.		DRAWN	DATE	SIZE
		BK	2/25/2025	B
		WEIGHT	Sheet #	MATERIAL
		N/A	1 of 2	ASSY
		SCALE		
		1 / 30		

EQUIPMENT SPECIFICATIONS

Sales Order Information		
Date:	Dealer	V.I.N.
3/10/2026	MIDCO	V7282

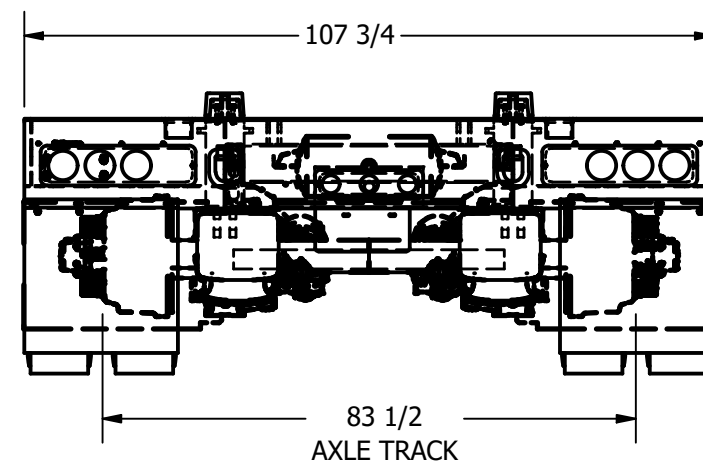
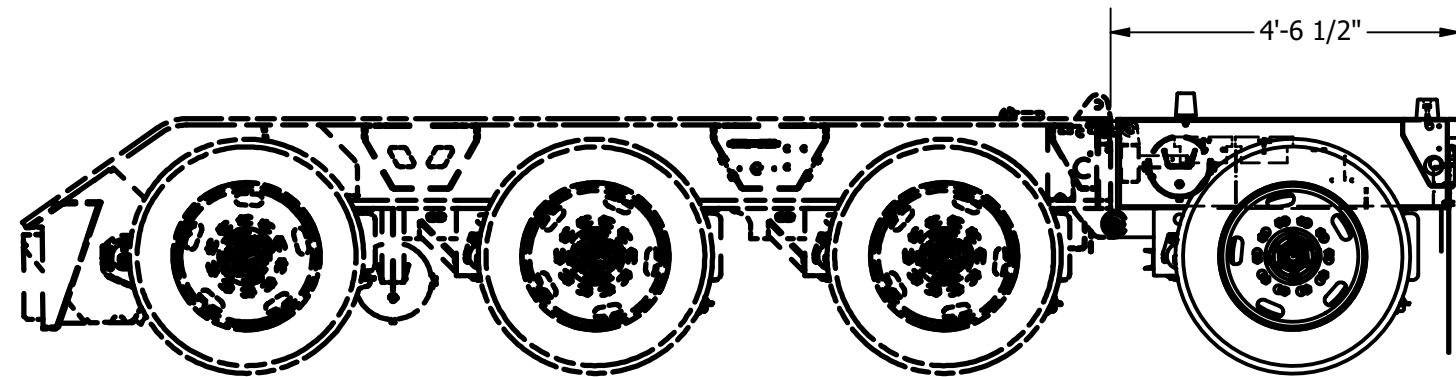
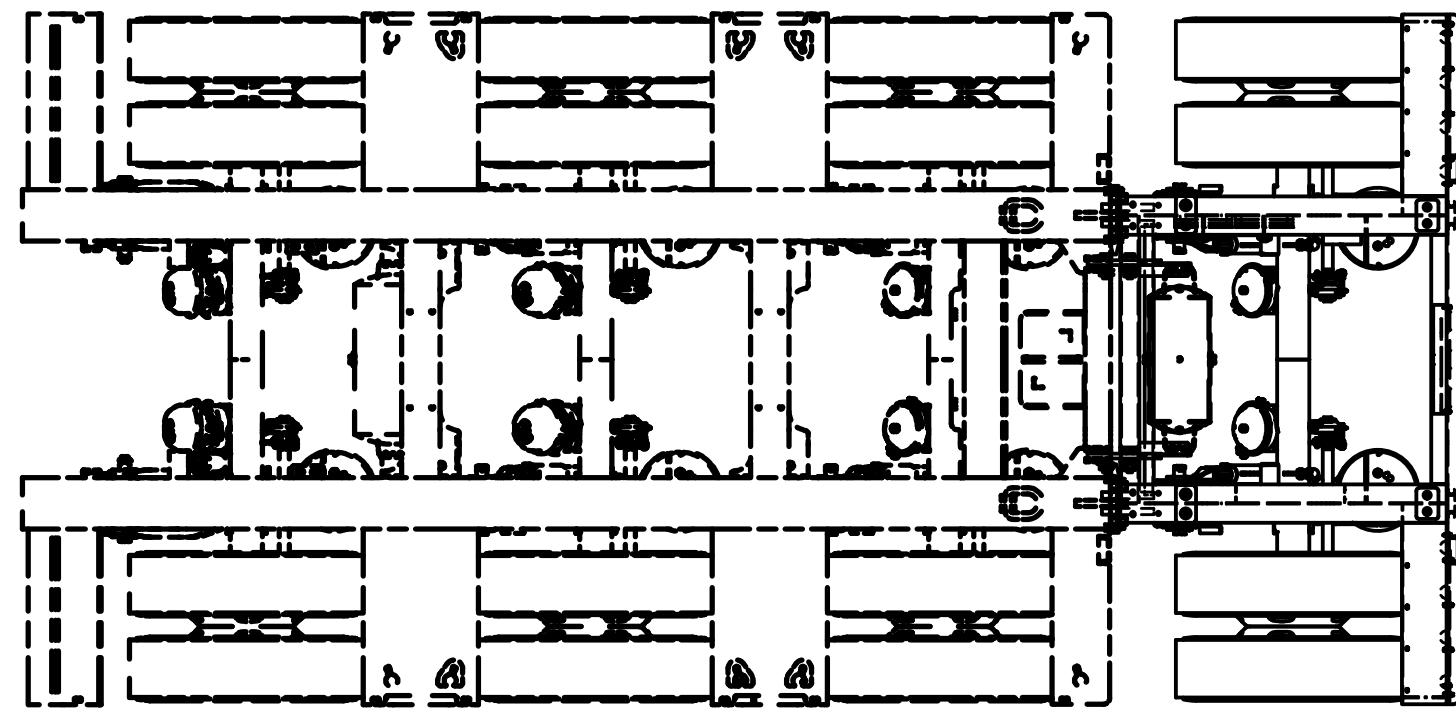
FLIP AXLE
 4 TAIL LIGHT S.S PKG
 STROBE LIGHTS AS 4TH TAIL LIGHT
 4-WAY SOCKET AT REAR TO RUN ADDITIONAL LIGHT
 4-WAY PLUG AT FRT OF FLIP TO POWER STROBE LIGHTS
 LIMIT CHAINS ALL AXLES
 275/70R/22.5 TIRES
 ALUM POLISHED WHEELS OUT
 STEEL WHEELS IN
 1 PR OF D-RINGS AT REAR
 FLAG HOLDERS AT REAR
 STAKE POCKETS AT REAR FOR WIDE LOAD SIGN
 AIR/ELE/BRKT FOR 2ND FLIP AXLE
 NITRO BOOSTER BRKTS/SHIMS INCLUDED
 RIDE HEIGHT VALVE WITH ON/OFF SWITCH

OTHER
 12V SEALED ELECTRICAL HARNESS
 LED LIGHTS
 25,000 LB SUSPENSION AND AXLES
 AIR SUSPENSION
 16.5" X 7" BRAKES
 HUB PILOT AXLES
 BLACK PAINT



<u>DOCUMENT APPROVAL</u>	
PLEASE REVIEW SPECIFICATIONS AND DIMENSIONS BEFORE APPROVING THIS DOCUMENT	
COMPANY: _____	<input type="checkbox"/> APPROVED
NAME (print): _____	
SIGNATURE: _____	<input type="checkbox"/> APPROVED AS NOTED
DATE: _____	

AlphaHD		DRAWING NUMBER			
ICE Manufacturing, Inc.		AFA2			
801 2nd Ave SE, Oelwein, Ia 50662		MODEL			
		SALES DRAWING			
THIS DRAWING IS THE PROPERTY OF ICE MANUFACTURING, INC. IT IS ISSUED IN CONFIDENCE FOR ENGINEERING INFORMATION ONLY AND MAY NOT BE COPIED OR USED FOR MANUFACTURING OF ANYTHING SHOWN WITHOUT SPECIFIC WRITTEN PERMISSION.		DRAWN BK	DATE	SIZE	SCALE
			2/25/2025	B	1 / 24
		WEIGHT N/A	Sheet #	MATERIAL ASSY	
			2 of 2		



DOCUMENT APPROVAL

PLEASE REVIEW SPECIFICATIONS AND DIMENSIONS BEFORE APPROVING THIS DOCUMENT

COMPANY: Midco Sales 3/11/2026

NAME (print): _____ APPROVED

SIGNATURE: _____ APPROVED AS NOTED

DATE: _____

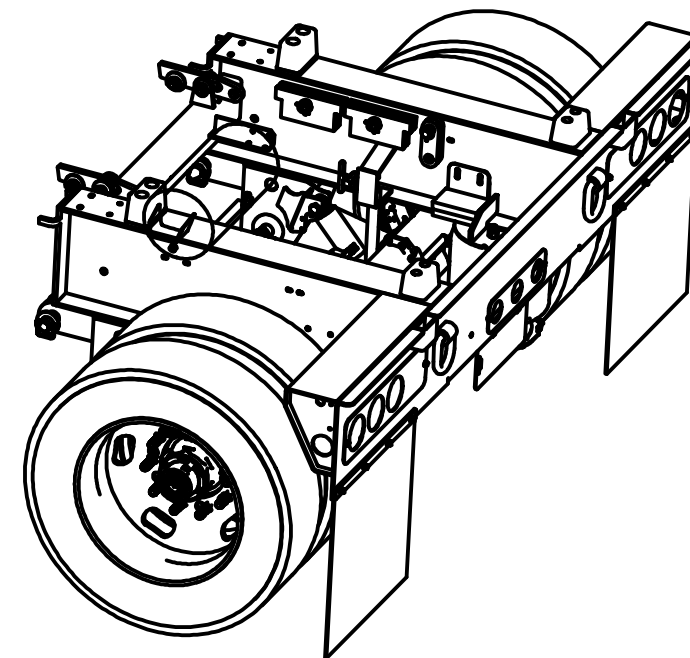
AlphaHD ICE Manufacturing, Inc. 801 2nd Ave SE, Oelwein, Ia 50662		DRAWING NUMBER			
		AFA1			
THIS DRAWING IS THE PROPERTY OF ICE MANUFACTURING, INC. IT IS ISSUED IN CONFIDENCE FOR ENGINEERING INFORMATION ONLY AND MAY NOT BE COPIED OR USED FOR MANUFACTURING OF ANYTHING SHOWN WITHOUT SPECIFIC WRITTEN PERMISSION.		MODEL		SCALE	
		SALES DRAWING		1 / 30	
DRAWN BDK		DATE	SIZE	MATERIAL ASSY	
		12/30/2024	B		
REV		Sheet #			
		1 of 2			

EQUIPMENT SPECIFICATIONS

Sales Order Information		
Date:	Dealer	V.I.N.
3/10/2026	MIDCO	V7283

FLIP AXLE
 4 TAIL LIGHT S.S PKG
 STROBE LIGHTS AS 4TH TAIL LIGHT
 4-WAY PLUG AT FRT OF FLIP TO POWER STROBE LIGHTS
 LIMIT CHAINS ALL AXLES
 275/70R/22.5 TIRES
 STEEL WHEELS IN
 POLISHED ALUM WHEELS OUT
 1 PR OF D-RINGS AT REAR
 FLAG HOLDERS AT REAR
 STAKE POCKETS AT REAR FOR WIDE LOAD SIGN
 NITRO BOOSTER BRKTS/SHIMS INCLUDED

OTHER
 12V SEALED ELECTRICAL HARNESS
 LED LIGHTS
 25,000 LB AIR SUSPENSION AND AXLES
 16.5" X 7" BRAKES
 HUB PILOT AXLES
 BLACK PAINT



<u>DOCUMENT APPROVAL</u>	
PLEASE REVIEW SPECIFICATIONS AND DIMENSIONS BEFORE APPROVING THIS DOCUMENT	
COMPANY: _____	<input type="checkbox"/> APPROVED <input type="checkbox"/> APPROVED AS NOTED
NAME (print): _____	
SIGNATURE: _____	
DATE: _____	

AlphaHD		DRAWING NUMBER		AFA1	
ICE Manufacturing, Inc.		MODEL		SALES DRAWING	
801 2nd Ave SE, Oelwein, Ia 50662		DRAWN BDK	DATE	SIZE	SCALE
THIS DRAWING IS THE PROPERTY OF ICE MANUFACTURING, INC. IT IS ISSUED IN CONFIDENCE FOR ENGINEERING INFORMATION ONLY AND MAY NOT BE COPIED OR USED FOR MANUFACTURING OF ANYTHING SHOWN WITHOUT SPECIFIC WRITTEN PERMISSION.			12/30/2024	B	1 / 24
		REV	Sheet #	MATERIAL	
		2 of 2	ASSY		