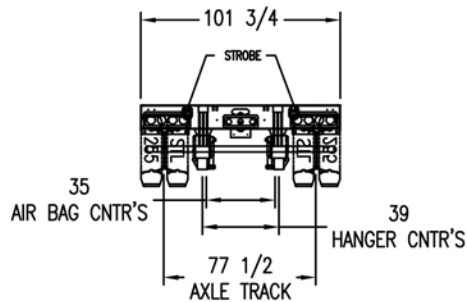



LOAD RATING ON TRAILER
 80,000 LBS DISTRIBUTED
 60,000 LBS IN 10' CONCENTRATED
 WHEN THE TRAILER IS IN THE CLOSED POSITION



REAR VIEW

 <small>1086 South 3rd St. Manchester, IA 52057</small> THIS DRAWING IS THE PROPERTY OF XL SPECIALIZED TRAILERS WHICH CLAIMS PROPRIETARY RIGHTS IN THE MATERIAL DISCLOSED. IT IS ISSUED IN CONFIDENCE FOR ENGINEERING INFORMATION ONLY AND MAY NOT BE COPIED OR USED FOR MANUFACTURING OF ANYTHING SHOWN WITHOUT SPECIFIC WRITTEN PERMISSION OF XL SPECIALIZED TRAILERS.		PART NO.	
		DESC. MDEZ,80,48,102,FN,PA/S,4TL,AG,REG	
SIZE A	INITIALS	DATE	SHEET OF REV 1 1 -
DIM TOL: ± 1/16	ANG TOL: ± 1°		